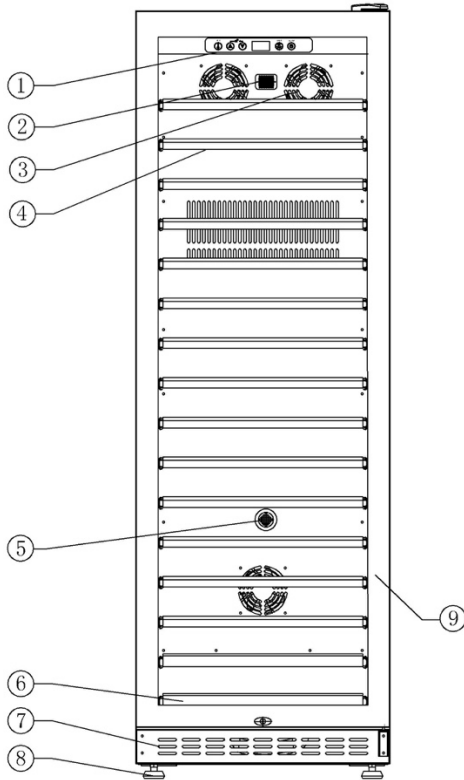


Instruction Manual Wine Cellar

Thank for choosing our products, please read this manual carefully before using it.

Single Zone



1: Control panel

2: Odour filter

3: Ventilation fan

4: Sensor

5: Ball bearing

6: Big wooden rack

7: Small wooden rack

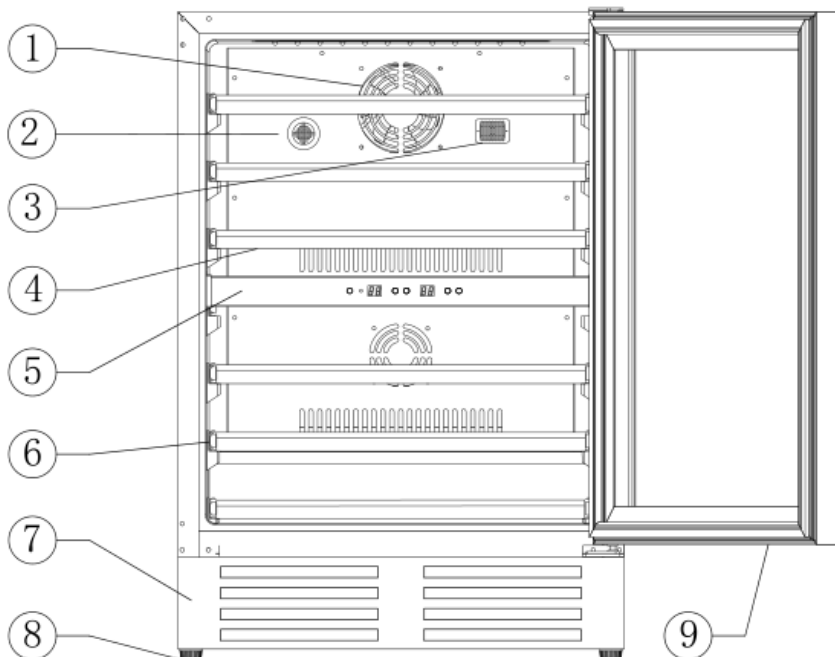
8: Front ventilation base

9: Hung

10: upper hinge

11: Glass door

Dual Zones



- | | | |
|---------------------------------|---------------------------------|------------------------|
| 1: Upper ventilation fan | 6: Odor filter | 11: Hung |
| 2: Big rack | 7: Sensor | 12: Upper hinge |
| 3: Ball bearing | 8: Lower ventilation fan | 13: Glass door |

4: Sensor

9: Small wooden rack

5: Control panel

10: Front ventilation base

2-IMPORTANT SAFETY INSTRUCTIONS

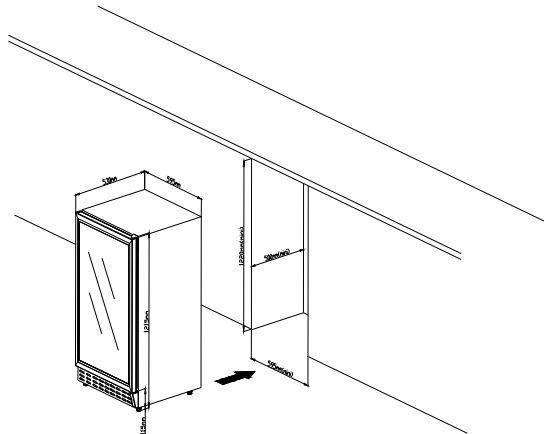
WARNING	To reduce the risk of fire, electrical shock, or injury when using your appliance, follow these basic precautions:
<ul style="list-style-type: none"> ● Read all instructions before using the Wine Cellar ● DANGER or WARNING: Risk of child entrapment. Child entrapment and suffocate on are not only problems of the past. Junked or abandoned appliances are still dangerous... even if they will “just sit in the garage for a few days”. ● Before you throw away old wine Cellar: Take off the door. Leave the Shelves in piece so that children may not climb inside easily. ● Never allow children to operate, play with, or crawl inside the appliance. ● Never clean appliance parts with flammable fluids. The fumes can create a fire hazard or explosion. ● Do not store or use gasoline or any other flammable vapors in the vicinity or any other appliance. The fumes can create a fire hazard or explosion. ● Keep ventilation openings, in the appliance enclosure or in the built-in structure, clear of obstruction. ● WARNING Do not use mechanical devices or other means to accelerate the defrosting process, other than those recommended by the manufacturer. ● WARNING Do not damage the refrigerant circuit. ● WARNING Do not use electrical appliances inside the food storage compartments of the appliance, unless they are of the type recommended by the manufacturer. ● Warning: Do not store explosive substances such as aerosol cans with a flammable propellant in this appliance. ● The appliance has to be unplugged after use and before carrying out user maintenance on the appliance. ● This appliance can be used by children aged from 8 years and above and persons with reduced 	

physical, sensory or mental capabilities or lack of experience and knowledge if they have been given supervision or instruction concerning use of the appliance in a safe way and understand the hazards involved.

- Children should be supervised to ensure that they do not play with the appliance.
- If the supply cord is damaged, it must be replaced by the manufacturer, its service agent or similarly qualified persons in order to avoid a hazard.
- The product Cyclopentane as blowing gas, disposal of the product shall be as per local body regulations.
- This appliance is intended to be used in household and similar applications.

3-INSTALLATION INSTRUCTIONS

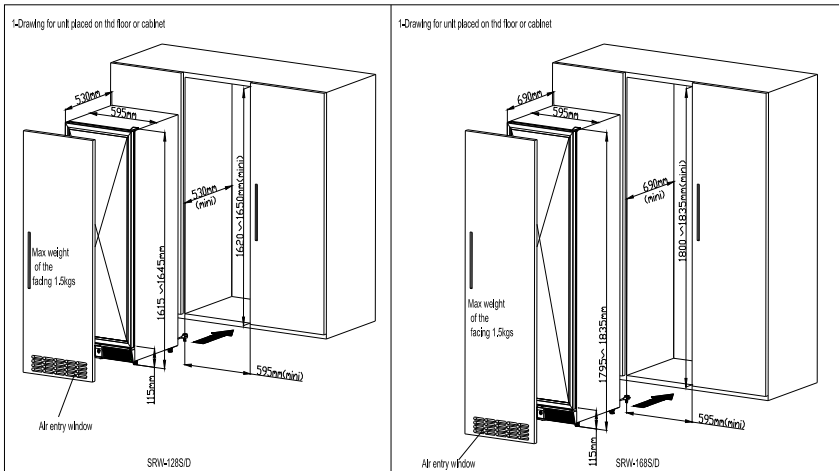
➤ Installation diagram for the built-in models



➤ Installing a unit with a technical door

- Level the unit inside the cabinet.
- Open the door of the unit at a 90° angle.
- Fix the facing of the kitchen cabinet on the door of the unit (8 screws included).

- Be sure the gasket seal properly.



➤ **Before Using Your Wine Cellar**

- Remove the exterior and interior packing.
- Before connecting the Wine Cellar to the power source, let it stand upright for approximately 2 hours. This will reduce the possibility of a malfunction in the cooling system from handling during transportation.
- Clean the interior surface with lukewarm water using a soft cloth.
- Install the handle on the left side of the door.

➤ **Installation of Your Wine Cellar**

- This appliance is designed for free standing installation or built-in (fully recessed).
- Place your Wine Cellar on a floor that is strong enough to support it when it is fully loaded. To level your Wine Cellar, adjust the front leveling leg at the bottom of the Wine Cellar.
- Locate the Wine Cellar away from direct sunlight and sources of heat (stove, heater, radiator, etc.). Direct sunlight may affect the acrylic coating and heat sources may increase electrical consumption. Extreme cold ambient temperatures may also cause the unit not to perform properly.
- Avoid locating the unit in moist areas.

- Plug the Wine Cellar into an exclusive, properly installed-grounded wall outlet. Do not under any circumstances cut or remove the third(ground) prong from the power cord. Any questions concerning about power and/or grounding should be directed toward a certified electrician or an authorized products service center.

➤ **Reversing the Door Swing of Your Appliance**

The door of this appliance has the capability of opening from either left or right side. The unit is delivered to you with the door opening from the left side. If you desire to reverse the opening direction, please call service for reversal instructions (SRW-28S,SRW-28D,SRW-54S,SRW-54D,SRW-76S,SRW-76D,SRW-128S, SRW-128D, SRW-168S,SRW-168D, SRW-230S,SRW-230D)

EJ VENDBAR PÅ ALLE DANSKE MODELLER

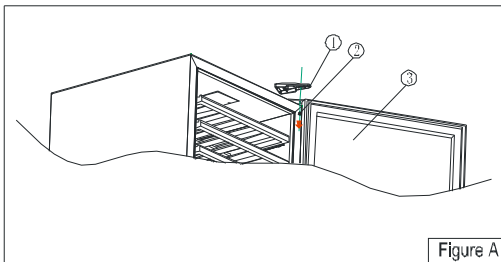


Figure A

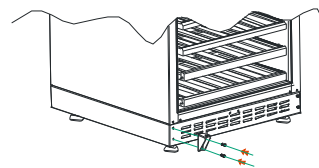


Figure E

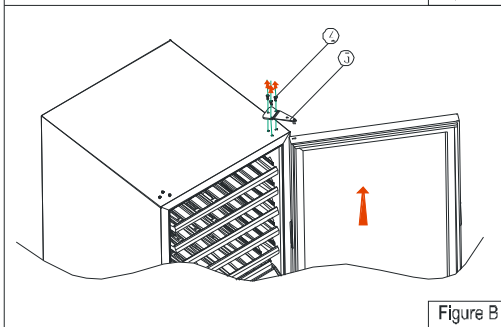


Figure B

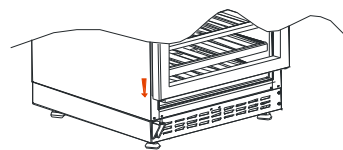


Figure F

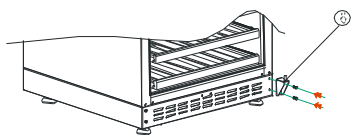


Figure C

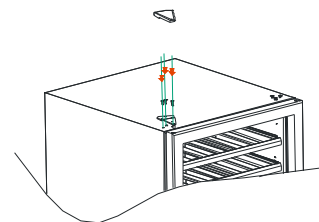


Figure G

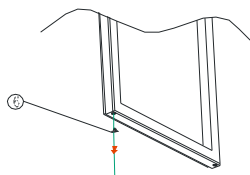


Figure D

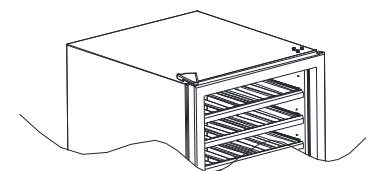


Figure H

Figure A: Dismantle the right hinge

Figure B: Dismantle the upper hinge

Figure C: Dismantle the lower hinge

Figure E: Install the lower hinge

Figure F: Install the door

Figure G: Install the upper hinge

Figure D: Dismantle the door

Figure H: Finish installation

4-OPERATING YOUR WINE CELLAR

The wine cellar should be placed where the ambient temperature is between 32-100.4 degrees Fahrenheit (0-38°C). If the ambient temperature is above or below this range, the performance of the unit may be affected. For example, placing your unit in extreme cold or hot conditions may cause interior temperatures to fluctuate. The range of 40-65 degrees Fahrenheit (5-22°C) may not be reach

Single zone

Recommended Temperatures for Chilling Wine.

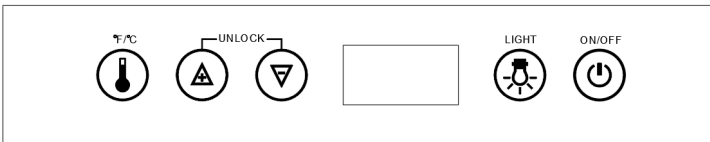
Red Wines: 15-18°C (58-65°F)

Dry/White Wines 9-15°C (48-57°F)


Sparkling Wines 5-9°C (40-47°F)

The above temperatures may fluctuate depending on whether the interior light is ON or OFF or the bottles are located on the upper/middle/lower section.



Digital Touch Panel (single zone)





➤ ON/OFF Power


To turn ON/OFF the appliance, press the  button.

➤ Setting the Temperature Control

- You can set the temperature as you desire by pushing the  (+) or  (-) button. When you push the two buttons for the first time, the LED readout will show the original

temperature set at previous time (the temperature preset at the factory is 41°F (5°C)).

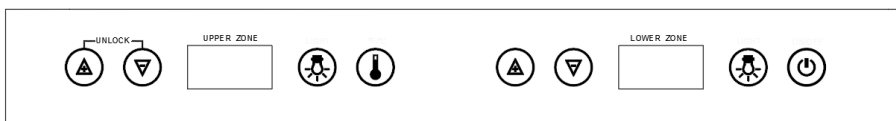
- The temperature that you desire to set will increase 1°F or 1°C if you push the  (+) button once, on the contrary the temperature will decrease 1°F or 1°C if you push the  (-) button once.
- When you store mostly red wines, the temperature which you control by pushing the above two buttons need to be set at between 58 to 65 °F(15-18°C)
- When you store mostly white wines, the temperature needs to be set at between 48 to 57°F(9-15°C)
- When you store mostly sparkling wines, the temperature needs to be set at between 40 to 47°F(5-9°C)
- You can select temperature display setting from Fahrenheit to Celsius degree by

pushing the “” button. Fahrenheit or Celsius degrees indicator will appear in green color in the “°C” or “°F” window .(Due to different market, some units can only display Fahrenheit or Celsius)


- The temperature inside the unit will be appear in red color in the DISPLAY window.

The above temperatures may fluctuate depending on whether the interior light is ON or OFF or the bottles are located on the upper/middle/lower section.





Digital Touch Panel (dual zone)



➤ ON/OFF Power


To turn ON/OFF the appliance, press the  button.

➤ Setting the Temperature Control

- Each cooling compartment of the wine Cellar (upper & lower) is independently controlled. To set the temperature: Connect the power cord to a properly grounded outlet. In the event of a power interruption, all previous temperature settings are automatically saved and each compartment will keep the previous temperature setting and the temperature preset at the factory is 41°F (5°C) for the upper compartment and 54°F (12°C) for the lower compartment.
- Set the desired cooling temperature by pressing the buttons “” or “” to set your desired temperature . Each depression of the buttons Will scroll through the available temperature settings (for each compartment)in increments of 1 degree. The temperature selected will be showed on the “” or “” window and the inner cabinet temperature will be showed on the window near to the “°C” and “°F” .

Upper compartment: The temperature setting can be adjusted from 5°C to 12°C (41°F to 54°F).

Lower compartment: The temperature setting can be adjusted from 12°C to 22°C (54°F to 72°F).



- This unit has the option to display temperatures in either Celsius or Fahrenheit by pushing the “” button. Fahrenheit or Celsius degrees indicator will appear in green color in the “°C” or “°F” window .(Due to different market, some units can only display Fahrenheit or Celsius)

NOTE:

- If the unit is unplugged, power lost, or turned off, you must wait 3 to 5 minutes before restarting the until you attempt to restart before this time delay, the wine cellar will not start.
- When you use the wine cellar for the first time or restart the wine cellar after having been shut off for a long time, there could be a few degrees variance between the temperature

you select and the one indicated on the LED readout. This is normal and it is due to the length of the activation time. Once the wine cellar is running of a few hours everything will be back to normal.

➤ **Interior Light**

You can turn the interior light ON or OFF by pressing the button marked with the “” symbol. If you would like to turn off the light just press the “” button again is ok .

➤ **Door Lock**

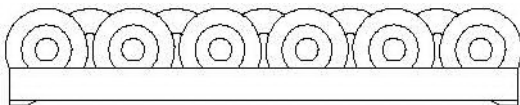
This unit has the option to have a lock and key combination. If you have choose the lock The keys are located inside the plastic bag that contains the User’s Manual. Insert the key into the lock, and turn it counterclockwise to unlock the door. To lock the door, do the reverse operation making sure metal pin is engaged completely. Remove the key and place it in a secure place for safekeeping.

5-LAYOUT AND STORAGE

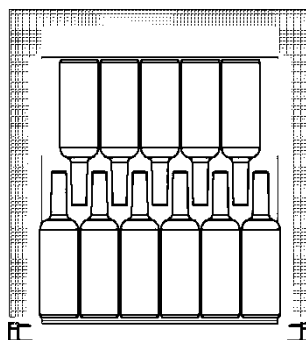
Your cabinet was designed to be flexible, to be able to adapt to your requirements

HOW TO USE YOUR STORAGE SHELF

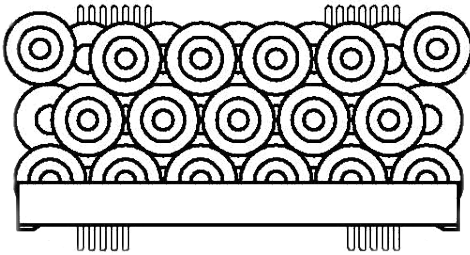
● **Normal Shelf**



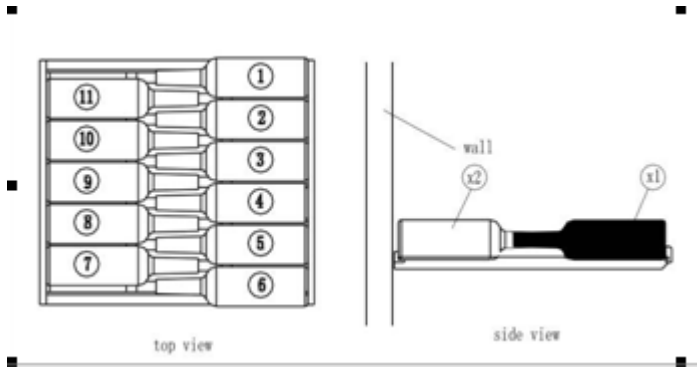
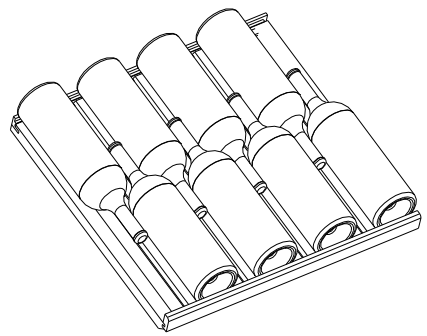
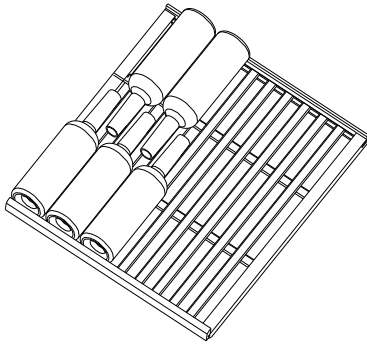
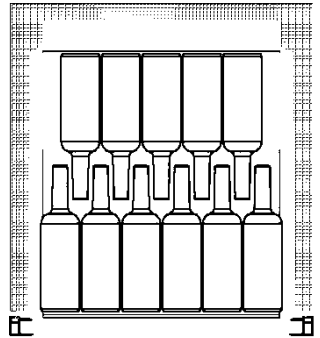
Capacity:8-22bottles
Max Weight:25kgs

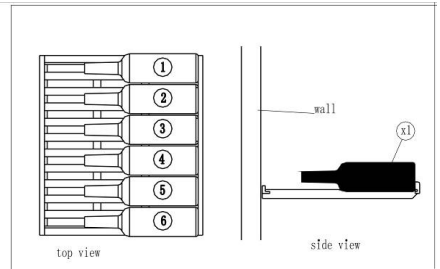
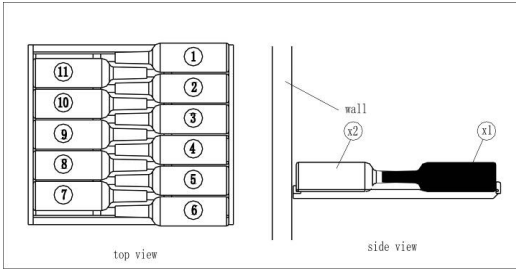


● Strong Shelf



Capacity: 8-44bottles
Max Weight: 50kgs

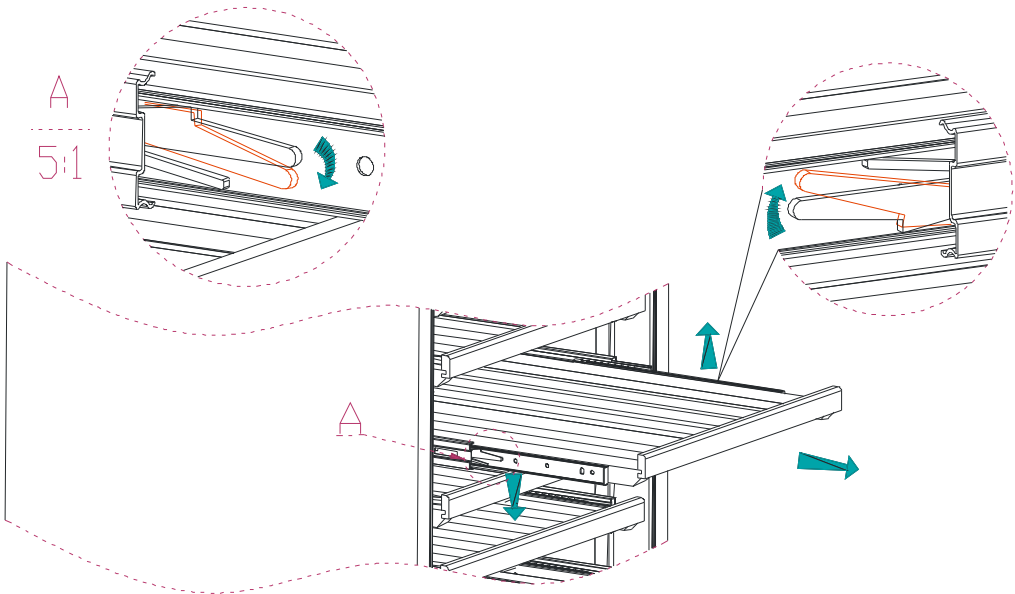




SLIDING SHELF

To move a sliding shelf:

1. Remove all bottles
2. Pull out the shelf
3. Refit them as show below instruction
4. Move out the shelf



LAYOUT AND STORAGE

RECOMMENDATIONS FOR LAYOUT AND STORAGE OF YOUR WINE CABINET

Your cabinet was designed to store a maximum number of bottles in total security. We recommend that you observe the tips below to optimize loading.

-Spread your bottles out as evenly as possible over the shelves, so that weight is not concentrated in one point, Also make sure your bottles do not touch the back of the cabinet, or the step at bottom.

-Also make sure that bottles are not all grouped together at the top or bottom of the cabinet.

-Observe the loading instructions provided in section 6, according to the type of storage fixtures with which your cabinet is equipped, and never stack bottles on a sliding shelf.

-Never try to pull out more than one sliding shelf at a time.

PLEASE NOTE

Before modifying your cabinet's original configuration in any way, be sure to ask your dealer for advice.

6-CARE AND MAINTENANCE

➤ **Cleaning Your Wine Cellar**

- Turn off the power, unplug the appliance, and remove all items including shelves and rack.
- Wash the inside surfaces with warm water and baking soda solution. The solution should be about 2 tablespoons of baking soda with a quart of water.
- Wash the shelves with a mild detergent solution.
- Wring excess water out of the sponge or cloth when cleaning area of the controls, or any electrical parts.
- Wash the outside cabinet with warm water and mild liquid detergent. Rinse well and wipe dry with a clean soft cloth.

➤ **Power Failure**

- Most power failures are corrected within a few hours and should not affect the

temperature of your appliance if you minimize the number of times the door is opened. If the power is going to be off for a longer period of time, you need to take the proper steps to protect your contents.

➤ **Vacation time**

- **Short vocations:** Leave the Wine Cellar operating during vacations of less than three weeks.
- **Long vocations:** If the appliance will not be used for several months, remove all items and turn off the appliance. Clean and dry the interior thoroughly. To prevent door and mold growth, leave the door open slightly: blocking it open if necessary.

➤ **Moving Your Wine Cellar**

- Remove all items.
- Securely tape down all loose items (shelves) inside your appliance.
- Turn the adjustable leg up to the base to avoid damage.
- Tape the door shut.
- Be sure the appliance stays secure in the upright position during transportation. Also protect outside of appliance with a blanket, or similar item.

➤ **Energy saving Tips**

- The Wine Cellar should be located in the coolest area of the room, away from heat producing appliances, and out of the direct sunlight.

7-TROUBLESHOOTING GUIDE

PROBLEM	POSSIBLE CAUSE
Wine Cellar does not operate.	<p>Not plugged in.</p> <p>The appliance is turned off.</p> <p>The circuit breaker tripped or a blown fuse.</p>
Wine Cellar is not cold enough.	<p>Check the temperature control setting.</p> <p>External environment may require a higher setting.</p> <p>The door is opened too often.</p> <p>The door is not closed completely.</p> <p>The door gasket does not seal properly.</p>
Turn on and off frequently.	<p>The room temperature is hotter than normal.</p> <p>A large amount of contents has been added to the Wine Cooler.</p> <p>The door is opened too often.</p> <p>The door is not closed completely.</p> <p>The temperature control is not set correctly.</p> <p>The door gasket does not seal properly.</p>
The light does not work.	<p>Not plugged in.</p> <p>The circuit breaker tripped or a blown fuse.</p> <p>The bulb has burned out.</p> <p>The light button is "OFF".</p>
Vibrations.	<p>Check to assure that the Wine Cellar is on level.</p>
The Wine Cellar seems to make too much noise.	<p>The ratting noise may come from the flow of the refrigerator, which is normal.</p> <p>As each cycle ends, you may hear gurgling sounds caused by the flow of refrigerator in your Wine Cellar.</p>

	<p>Contraction and expansion of the inside walls may cause popping and crackling noises.</p> <p>The Wine Cellar is not on level.</p>
The door will not close properly.	<p>The Wine Cellar is not on level.</p> <p>The door was reversed and not properly installed.</p> <p>The gasket is dirty.</p> <p>The shelves are out of position.</p>

8-Technical Data

Art No.	SRW-28S/D	SRW-54S/D	SRW-76S/D	SRW-128S/D	SRW-168S/D	SRW-230S/D
Volume(L)	90	150	225	325	450	600
Accommodation (750 ML/Bottle) (bottles)	28-32	46	78	122	166	220
Type of cooling	compressor fan cooling					
Climate type	ST					
Electricity protection grade	I					
Nominal voltage/Frequency	220-240V/50-60HZ, 115V/60HZ					
Rated power(W)	75	80	105	110	135	145
<i>Ambient temperature</i>	0-38°C					
<i>Temperature range</i>	5-22°C (single zone)					
	Down layer: 12-22°C; Up layer: 5-12°C (dual zone)					

Range of inside cabinet humidity	>60%RH					
Body size(MM)	380W*575D* 820H	595W*575D*870H	595W *575D * 1206H	595W*680D*1417H	595W*680D*1792H	695L*690W*189
Packing size(MM)	440W*640D* 870H	660W*650D*930H	660W*650D* 1265H	660W*760D*1490H	660W*760D*1865H	770W*770D*197
20'gp container load(pcs)	90	54	54	27	27	21
40'gp container load(pcs)	180	108	108	54	54	45
40HQ(pcs)	270	108	108	54	54	45
Net weight(kgs)	37	49	64	81	103	125
Gross weight(kgs)	40	52	69	87	109	132

Warranty Card-Varetages af Securator

User Name		Tel		Post Code	
Address					
Product Model		No.			
Purchasing Date		Purchasing Store			
Maintenance Point		Seller Sealed			

Maintenance Records

Date	Maintenance Content	Replacement Parts	Repairer	User Signed